

**3138-322-1699 - CEE - 5x125A / IP67 - KİLİTLİ KAPAKLI DÜZ MAKİNE PRİZİ (GT - PİLOT KONTAKLI)
CEE - 5x125A / PANEL MOUNT SOCKET OUTLET (GT - WITH PILOT CONTACT) (IP67)**

GT connectors



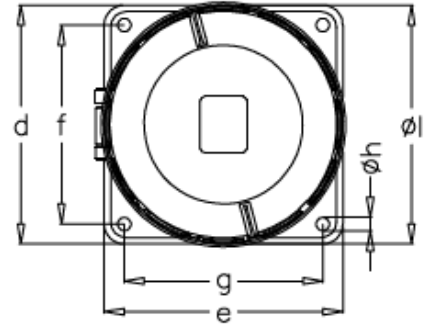
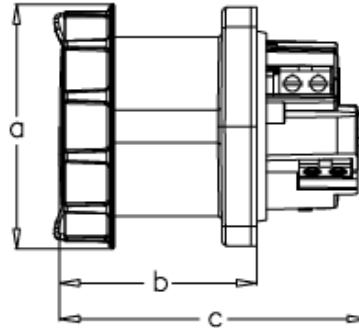
Ambalaj Mik.
Pack Unit

2



Ağırlık
Weight

700



Ölçüler / Dimensions

| | | | |
|---|-----|----|------|
| a | 123 | e | 120 |
| b | 118 | f | 100 |
| c | 155 | g | 100 |
| d | 120 | øh | 7 |
| øl | 95 | | |
| Kablo Çapı / Cond. Dia. (mm ²) (min.) | | | 16.0 |
| Kablo Çapı / Cond. Dia. (mm ²) (max.) | | | 50.0 |